

Case Study

SET[®] Enables Planned Completion Offshore Mexico

Challenge

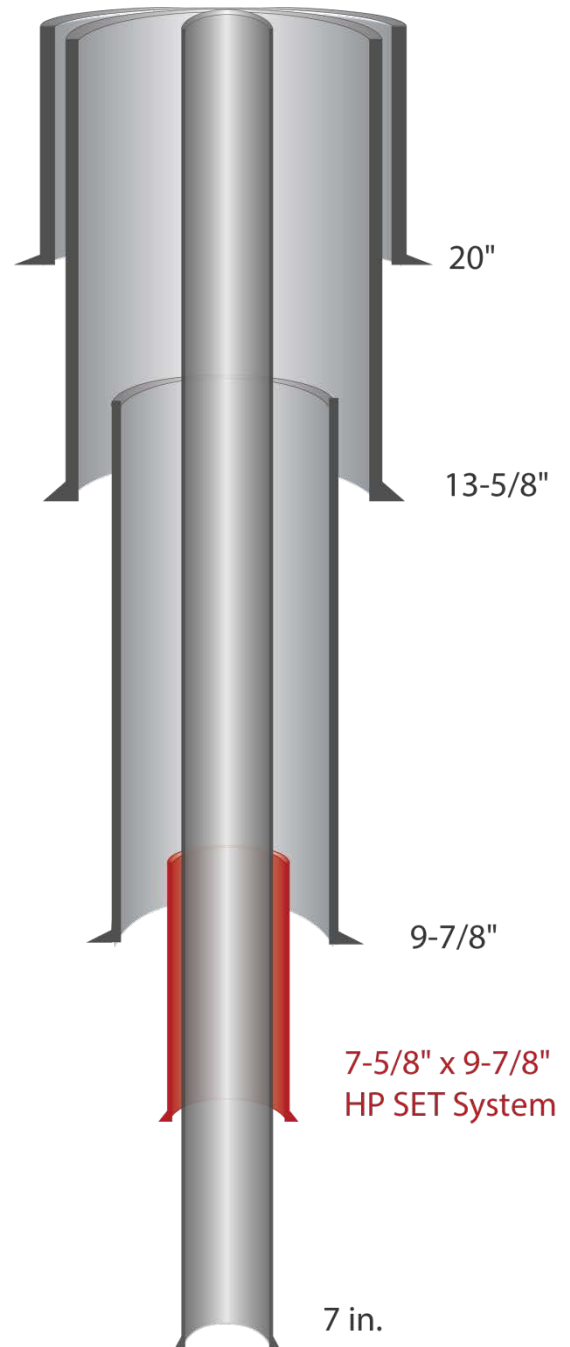
An Operator drilling a well offshore Mexico, encountered a depleted sand formation while drilling below their 9-7/8 in. casing. The well was planned to be completed with 7 in. production string at TD and through the 9-7/8 in. casing. If conventional casing would be run to cover the depleted zone, the objective could not be achieved. The standard option would be running 7-5/8 in. conventional casing at this depth, then 5-1/2 in. production string through it to TD.

Instead, the decision was made to run a 7-5/8 x 9-7/8 in. SET[®] High-Performance (HP) Openhole Liner (OHL) to cover the depleted sand. This option would allow the operator to stay on initial design and run the 7 in. production casing through the expanded 7-5/8 in. liner to TD.

Added Value

A 7-5/8 x 9-7/8 in. SET HP OHL was mobilized, successfully run, cemented, and expanded at the planned depth. The depleted zone was isolated, and the next section was drilled to TD without issues. The well was completed with 7 in. production casing as initially planned (instead of 5-1/2 in. if standard options were to be implemented). This was the first installation for this Operator in the Gulf of Mexico.

- ▶ **Completion date** May 2017
- ▶ **Location** Shelf, Mexico, GOM
- ▶ **Base Casing** 9-7/8 in. (65.1 lb/ft)
- ▶ **Solution** 7-5/8 in. SET HP OHL
- ▶ **Shoe Depth** 3,046 Meters (9,993 ft.)
- ▶ **Liner Length** 1,060 Meters (3,477 ft.)



Enventure Global Technology

15995 North Barkers Landing, Suite 350 | Houston, Texas 77079
 Tel 281.552.2200 | Fax 281.552.2201 | www.EnventureGT.com